

RR1000

Riding Roller

Parts catalog



BARONESS
Quality on Demand

Serial No.10001-

Ver.1.0

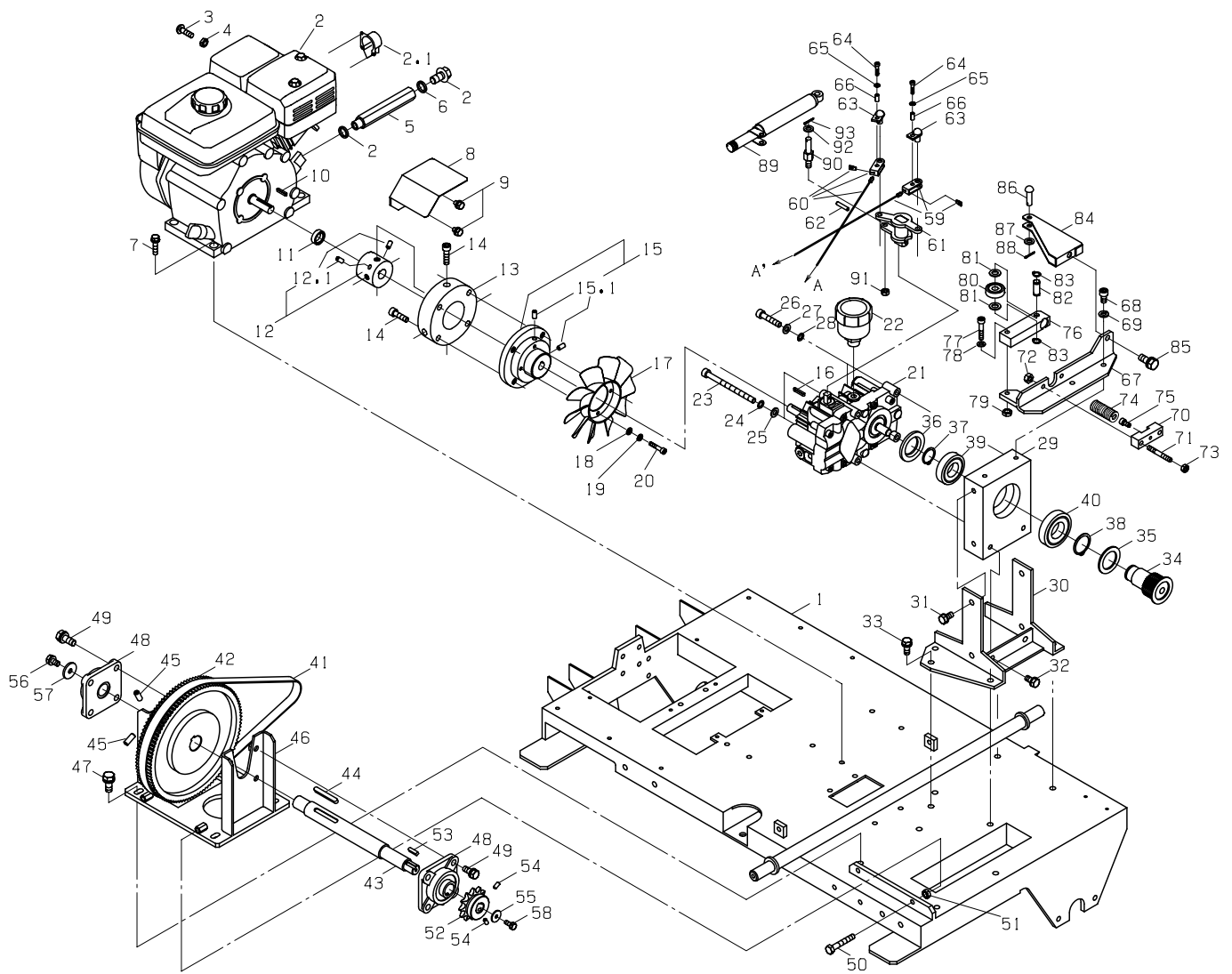
BEVATTNINGSTEKNIK
Helsingborgsvägen 578, Varalöv
262 96 ÄNGELHOLM, SWEDEN

Telefon: +46 431 22250
Email : info@bevattningsteknik.se eller philip@bevattningsteknik.se
www.bevattningsteknik.se

MODEL RR1000

2015/4

REF. NO.	PART NO.	DESCRIPTION	Q' ty
1	801 709 053	FRAME	1
2	701 707 775	ENGINE	1
2	801 706 786	EXHAUST DEFLECTOR	1
3	801 702 368	SCREW	1
4	800 030 220	NUT	1
5	801 699 969	BUSHING	1
6	801 699 969	WASHER	1
7	801 682 505	BOLT	4
8	801 709 054	FAN COVER	1
9	801 682 497	BOLT	2
10	801 663 272	KEY	1
11	801 707 784	SPACER	1
12	801 709 157	COUPLING	1
12.1	801 699 608	SCREW	2
13	801 707 787	COUPLING	1
14	801 707 788	CAP BOLT	8
15	801 709 158	COUPLING	1
15.1	801 699 608	SCREW	2
16	801 707 790	KEY	1
17	801 699 616	FAN	1
18	800 032 020	PLAIN WASHER	4
19	800 032 720	SPRING WASHER	4
20	801 650 917	CAP BOLT	4
21	801 699 617	HYDROSTATIC PUMP MOTOR	1
22	801 699 618	TANK	1
23	801 699 619	CAP BOLT	2
24	801 654 545	CONICAL SPRING WASHER	2
25	800 032 230	PLAIN WASHER	2
26	801 658 502	CAP BOLT	2
27	801 654 545	CONICAL SPRING WASHER	2
28	800 032 230	PLAIN WASHER	2
29	801 699 620	PUMP FLANGE	1
30	801 709 055	BRACKET	1
31	801 651 148	BOLT	4
32	801 651 148	BOLT	2
33	800 014 850	BOLT	4
34	801 699 789	PULLEY	1
35	801 699 623	PULLEY FLANGE	1
36	801 699 624	SPACER	1
37	801 699 625	RETAINING RING	1
38	801 699 626	RETAINING RING	1
39	801 656 139	BALL BEARING	1
40	801 699 627	BALL BEARING	1
41	801 699 628	TIMING BELT	1
42	801 699 629	PULLEY	1
43	801 699 630	PULLEY SHAFT	1
44	801 699 631	KEY	1
45	801 651 069	SCREW	2
46	801 709 056	BRACKET	1
47	800 014 850	BOLT	4
48	801 657 816	PILLOW BLOCK	2
49	800 014 850	BOLT	8
50	801 656 400	BOLT	2
51	800 030 230	NUT	2
52	801 699 633	SPROCKET	1
53	801 699 634	KEY	1
54	801 651 379	SCREW	2
55	801 676 126	WASHER	1
56	800 014 050	BOLT	1
57	801 675 631	WASHER	1



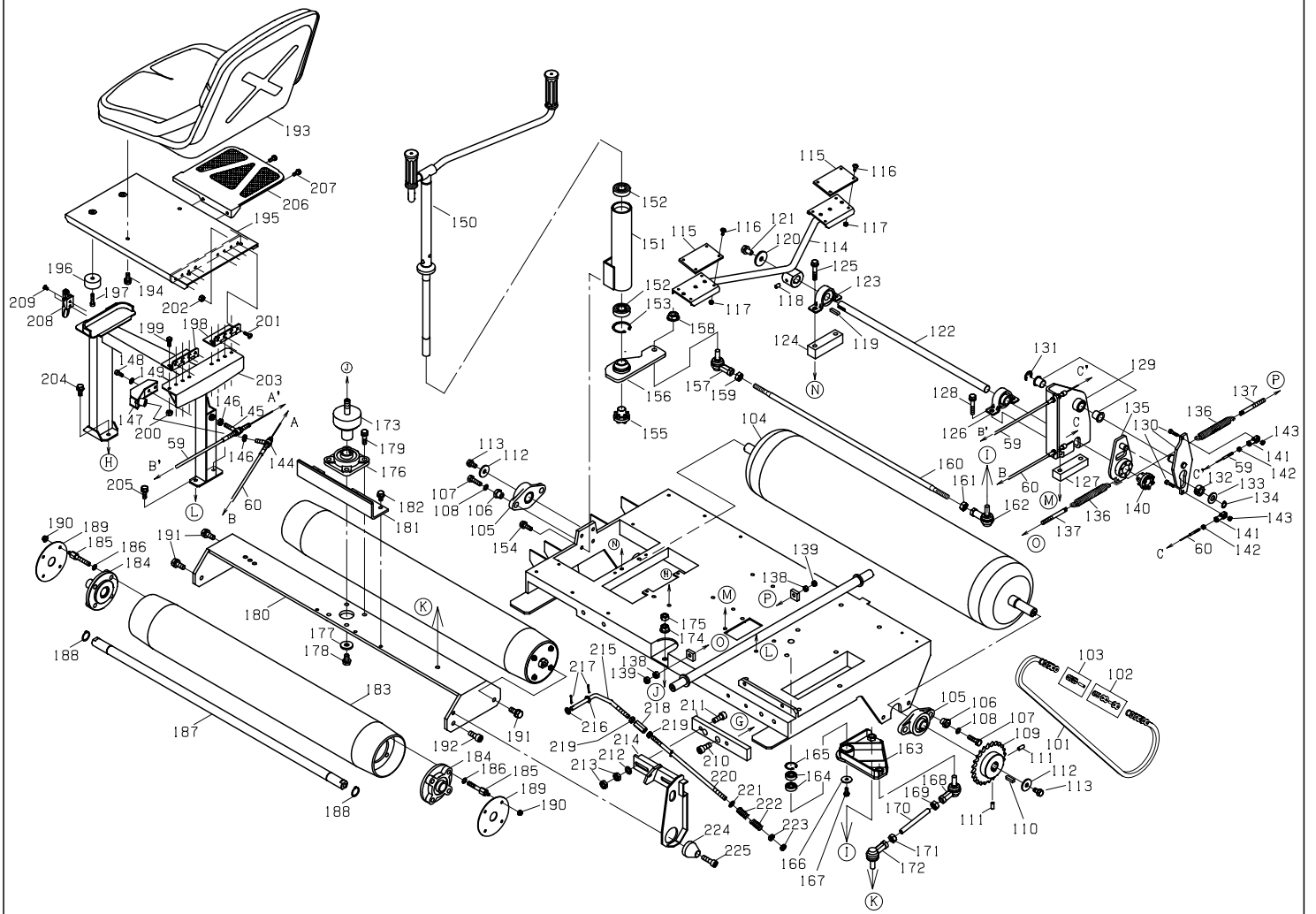
MODEL RR1000

Fig-1 2015.4

MODEL RR1000

2015/4

REF. NO.	PART NO.	DESCRIPTION	Q' ty
58	800 017 870	BOLT	1
59	801 709 159	WIRE ASSEMBLY	1
60	801 709 160	WIRE ASSEMBLY	1
61	801 699 669	ARM	1
62	801 699 673	SPRING PIN	1
63	801 707 797	ARM PIN	2
64	801 668 299	CAP BOLT	2
65	801 707 800	CONICAL SPRING WASHER	2
66	801 702 805	SPACER	2
67	801 709 059	BRACKET	1
68	801 651 021	CAP BOLT	2
69	800 032 730	SPRING WASHER	2
70	801 699 681	SPRING GUIDE	1
71	801 699 682	STUD BOLT	2
72	800 030 030	NUT	2
73	801 656 398	LOCK NUT	2
74	801 699 683	SPRING	1
75	801 654 433	CAP BOLT	1
76	801 699 684	ARM	1
77	801 658 502	CAP BOLT	1
78	800 032 230	PLAIN WASHER	1
79	800 030 230	NUT	1
80	801 658 604	BALL BEARING	1
81	801 699 686	WASHER	2
82	801 699 687	BEARING SHAFT	1
83	800 082 010	RETAINING RING	2
84	801 702 243	BRACKET	1
85	800 014 840	BOLT	1
86	801 702 244	PIN	1
87	800 032 230	PLAIN WASHER	1
88	801 699 679	SPLIT PIN	1
89	801 702 245	DAMPER	1
90	801 702 246	BOLT	1
91	801 656 398	LOCK NUT	1
92	800 032 230	PLAIN WASHER	1
93	801 699 679	SPLIT PIN	1



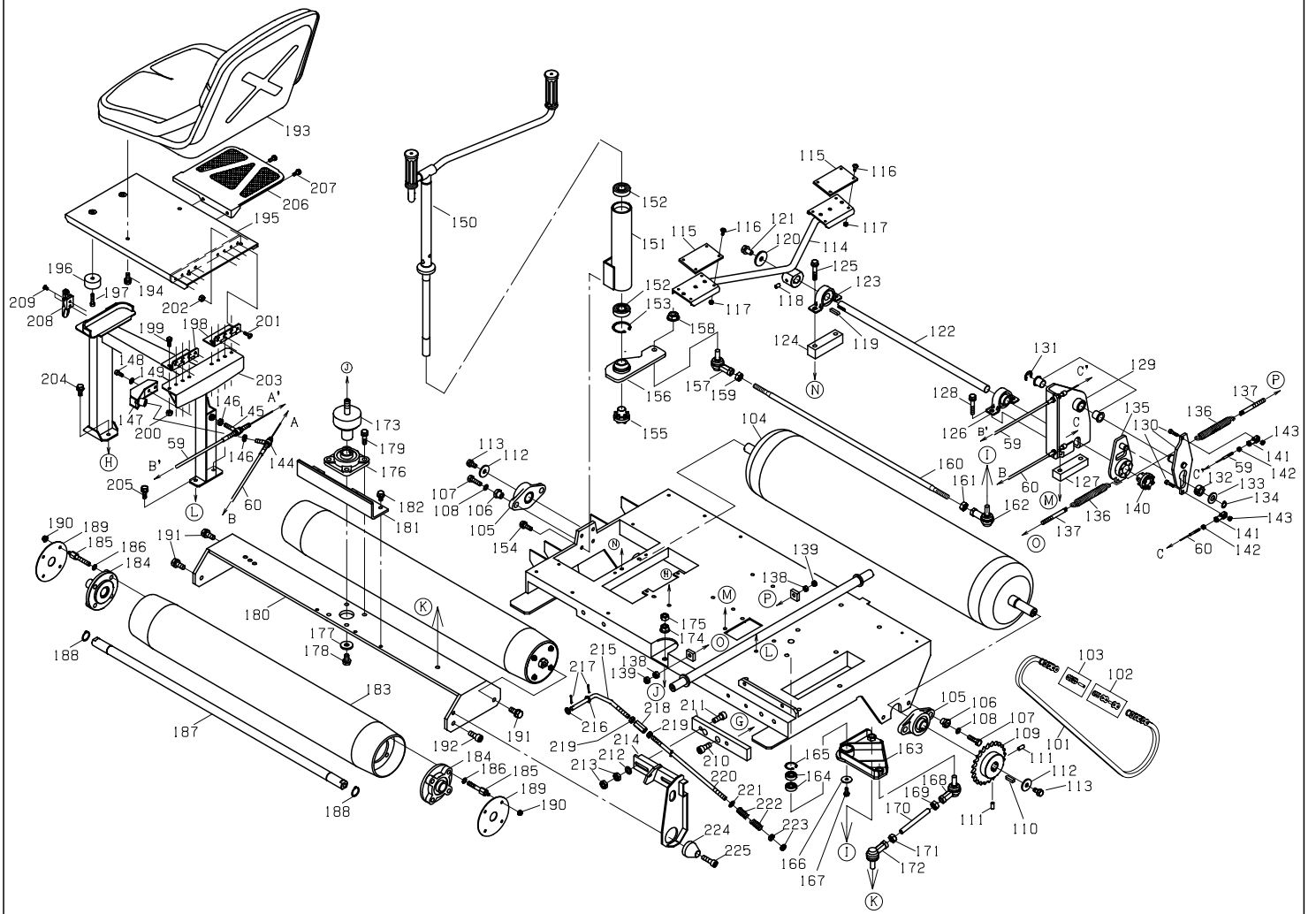
MODEL RR1000

Fig-2 2015.4

MODEL RR1000

2015/4

REF. NO.	PART NO.	DESCRIPTION	Q' ty
101	801 699 635	CHAIN	1
102	801 699 636	CHAIN JOINT	1
103	801 699 637	OFFSET LINK	1
104	801 699 638	ROLLER	1
105	801 657 761	PILLOW BLOCK	2
106	801 699 639	SPACER	4
107	800 011 540	BOLT	4
108	801 693 071	CONICAL SPRING WASHER	4
109	801 699 640	SPROCKET	1
110	801 699 641	KEY	1
111	801 651 069	SCREW	2
112	801 673 944	WASHER	2
113	801 651 148	BOLT	2
114	801 709 057	PEDAL	1
115	801 699 644	SLIP-PROOF SHEET	2
116	801 699 645	SCREW	8
117	800 031 210	LOCK NUT	8
118	801 654 436	SCREW	1
119	801 657 790	KEY	1
120	801 675 631	WASHER	1
121	800 014 050	BOLT	1
122	801 699 646	ARM SHAFT	1
123	801 657 789	PILLOW BLOCK	1
124	801 657 791	SPACER	1
125	801 656 629	BOLT	2
126	801 657 789	PILLOW BLOCK	1
127	801 699 647	SPACER	1
128	801 656 629	BOLT	2
129	801 709 161	BRACKET	1
130	801 709 162	ARM	1
131	801 680 322	RETAINING RING	1
132	801 699 657	GUIDE	1
133	800 032 250	PLAIN WASHER	1
134	800 082 030	RETAINING RING	1
135	801 699 658	LINK ARM	1
136	801 658 363	SPRING	2
137	801 699 662	BOLT	2
138	800 030 030	NUT	2
139	801 656 398	LOCK NUT	2
140	801 699 663	COUPLING SLEEVE	1
141	801 699 667	BALL LINK JOINT	2
142	800 030 180	NUT	2
143	801 654 100	LOCK NUT	2
144	801 702 522	BOLT	1
145	801 702 523	BOLT	1
146	800 030 230	NUT	2
147	801 709 058	BRACKET	1
148	801 653 712	CAP BOLT	2
149	800 032 720	SPRING WASHER	2
150	801 709 169	HANDLE	1
151	801 709 061	HANDLE SHAFT HOLDER	1
152	801 657 082	BALL BEARING	2
153	801 657 743	RETAINING RING	1
154	800 014 300	BOLT	4
155	801 708 139	COUPLING SLEEVE	1
156	801 709 062	LINK ARM	1
157	801 708 142	BALL LINK JOINT	1
158	801 656 583	LOCK NUT	1
159	800 030 250	NUT	1
160	801 708 143	BOLT	1



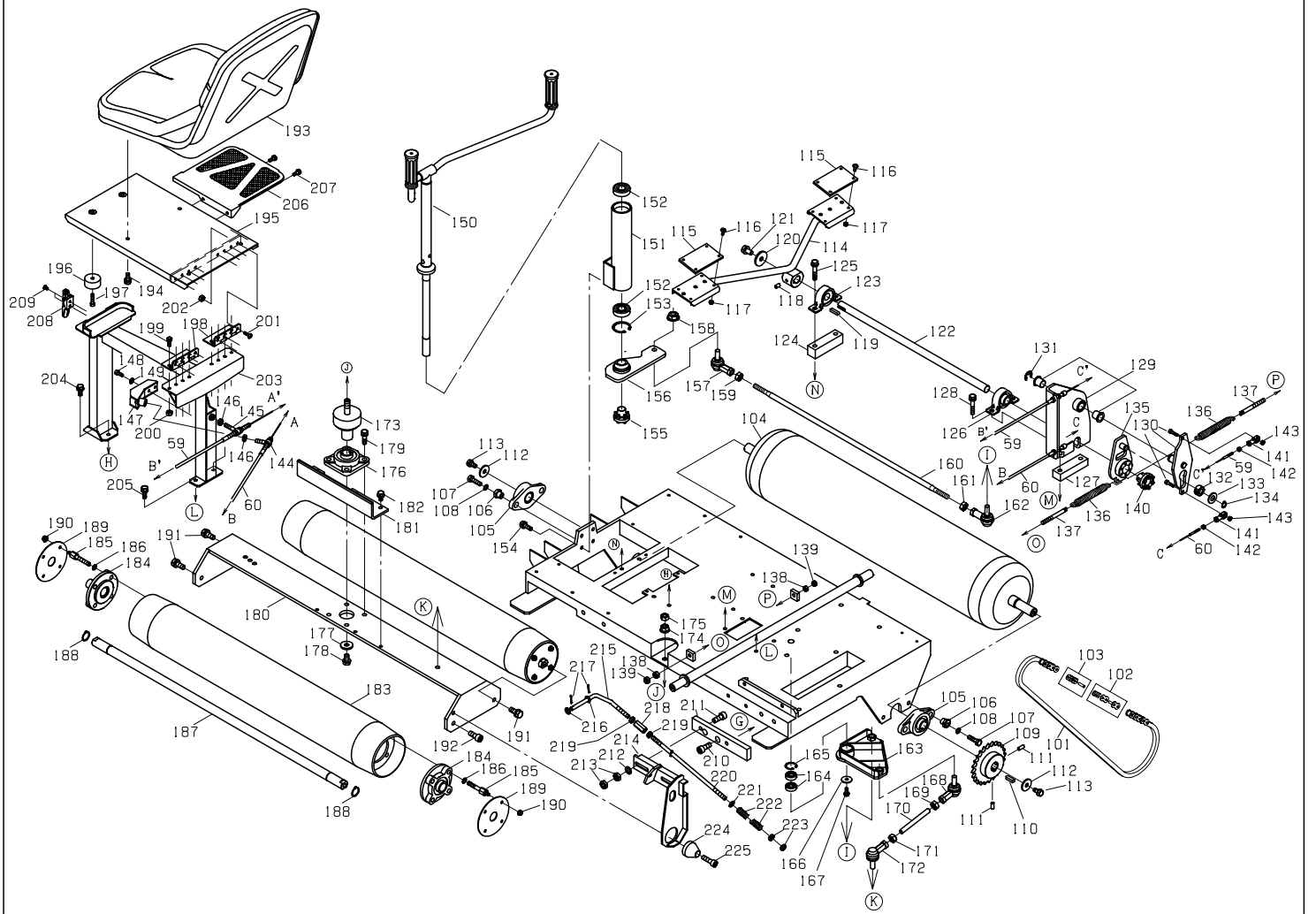
MODEL RR1000

Fig-2 2015.4

MODEL RR1000

2015/4

REF. NO.	PART NO.	DESCRIPTION	Q' ty
161	800 030 250	NUT	1
162	801 708 142	BALL LINK JOINT	1
163	801 709 063	LINK ARM	1
164	800 046 020	BALL BEARING	2
165	801 668 111	RETAINING RING	1
166	801 669 635	WASHER	1
167	800 017 870	BOLT	1
168	801 708 142	BALL LINK JOINT	1
169	800 030 250	NUT	1
170	801 708 146	BOLT	1
171	800 030 250	NUT	1
172	801 708 142	BALL LINK JOINT	1
173	801 706 973	BRACKET	1
174	801 656 583	LOCK NUT	1
175	800 030 250	NUT	1
176	801 657 816	PILLOW BLOCK	1
177	801 672 441	WASHER	1
178	801 699 720	BOLT	1
179	801 699 721	BOLT	4
180	801 709 064	ROLLER STAY	1
181	801 699 723	STOPPER	1
182	800 014 260	BOLT	3
183	801 699 724	ROLLER	2
184	801 699 725	PILLOW BLOCK	4
185	801 699 726	BOLT	16
186	801 693 060	CONICAL SPRING WASHER	16
187	801 699 727	ROLLER SHAFT	2
188	800 082 150	RETAINING RING	4
189	801 699 728	DISK	4
190	801 654 803	LOCK NUT	16
191	800 014 840	BOLT	3
192	801 699 729	CAP BOLT	1
193	801 699 730	SEAT	1
194	800 014 280	BOLT	4
195	801 709 065	SEAT BRACKET	1
196	801 706 825	CUSHION	2
197	801 658 552	CAP BOLT	2
198	801 708 334	HINGE	1
199	800 017 740	BOLT	8
200	800 031 221	LOCK NUT	8
201	801 708 335	BOLT	6
202	800 031 221	LOCK NUT	6
203	801 709 066	SEAT STAY	1
204	800 014 280	BOLT	2
205	800 014 300	BOLT	2
206	801 699 746	MUFFLER GUARD	1
207	800 017 870	BOLT	2
208	801 702 801	FASTENER	1
209	801 708 352	SCREW	2
210	801 699 751	CAP BOLT	2
211	801 709 164	GUIDE PLATE	1
212	800 032 240	PLAIN WASHER	2
213	800 030 240	NUT	4
214	801 709 087	BRACKET	1
215	801 699 794	LINK SHAFT	1
216	800 032 230	PLAIN WASHER	2
217	801 671 293	SPLIT PIN	2
218	801 666 104	NUT	1
219	800 030 230	NUT	2
220	801 702 506	LINK BOLT	1

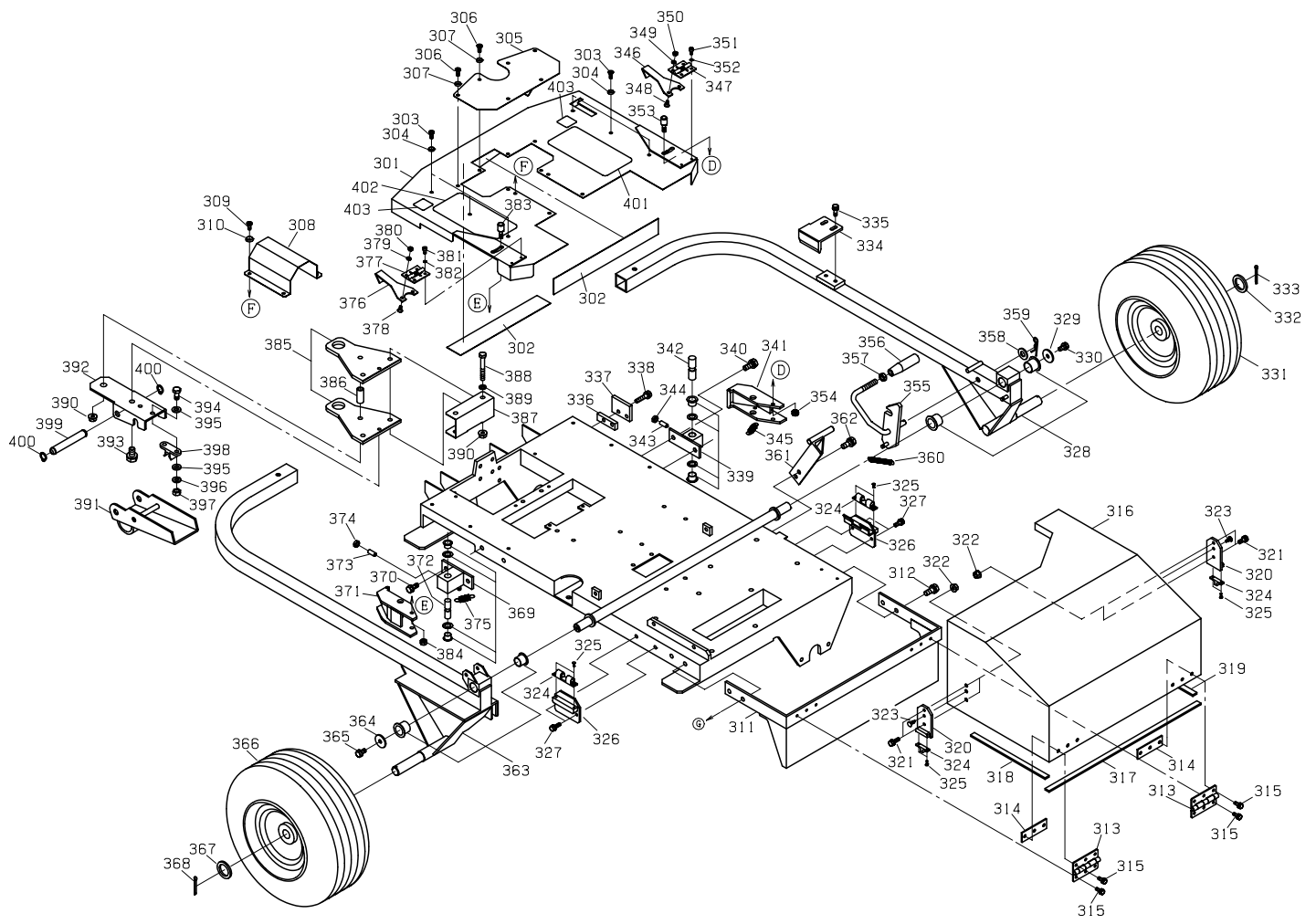


MODEL RR1000
Fig-2 2015.4

MODEL RR1000

2015/4

REF. NO.	PART NO.	DESCRIPTION	Q' ty
221	800 032 230	PLAIN WASHER	1
222	801 701 757	SPRING	2
223	800 030 230	NUT	2
224	801 699 796	STOPPER	1
225	801 699 797	CAP BOLT	1



MODEL RR1000
Fig-3 2015.4

MODEL RR1000

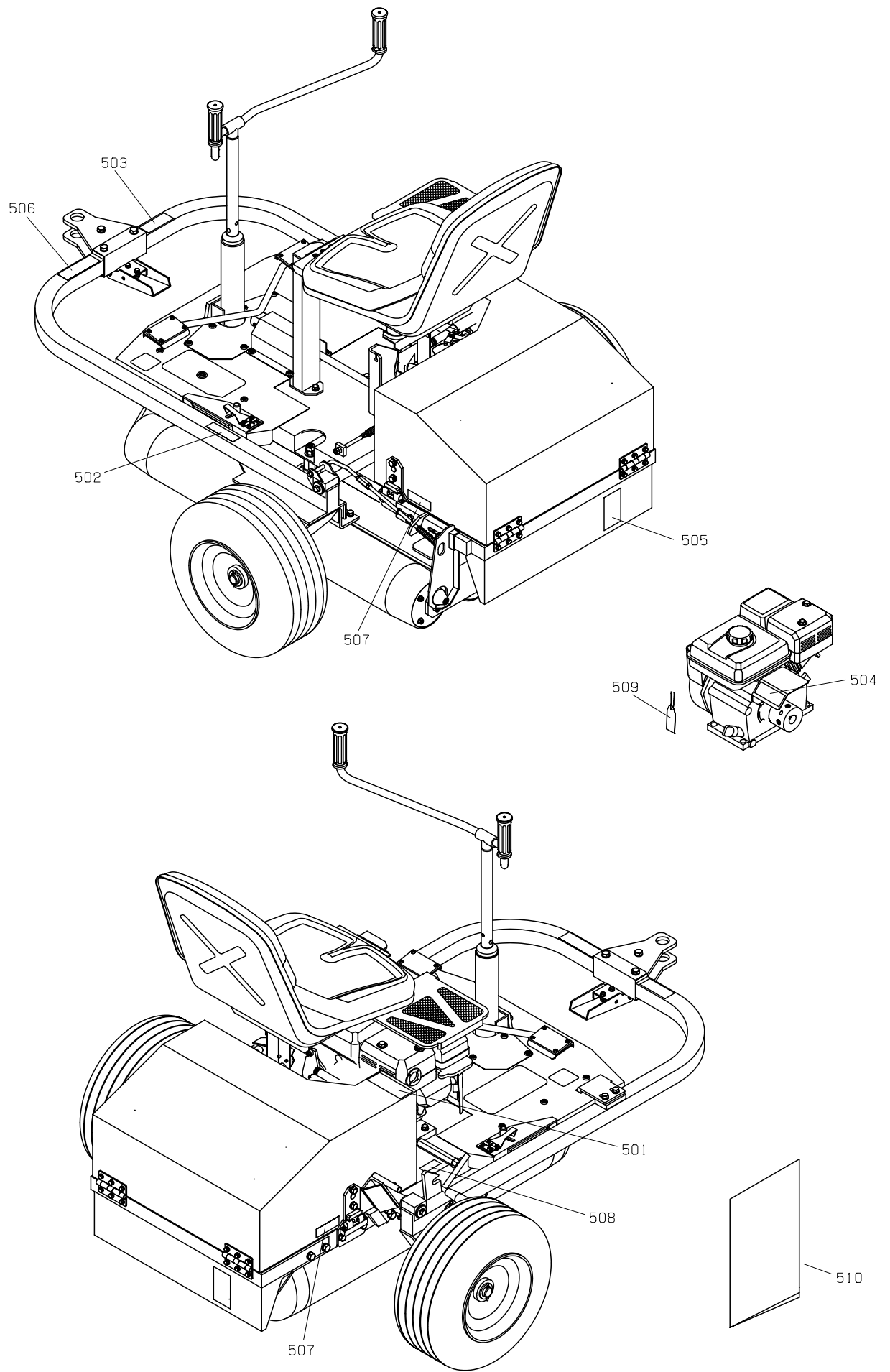
2015/4

REF. NO.	PART NO.	DESCRIPTION	Q' ty
301	801 709 067	STEP	1
302	801 702 624	SHEET	2
303	801 656 743	SCREW	6
304	801 656 585	WASHER	6
305	801 709 068	STEP COVER	1
306	801 656 743	SCREW	6
307	801 656 585	WASHER	6
308	801 709 069	SHAFT COVER	1
309	801 656 743	SCREW	4
310	801 656 585	WASHER	4
311	801 709 070	COVER BRACKET	1
312	800 014 840	BOLT	2
313	801 657 490	HINGE	2
314	801 657 823	PLATE NUT	2
315	800 018 340	BOLT	12
316	801 709 071	BELT COVER	1
317	801 699 753	CUSHION	1
318	801 699 754	CUSHION	1
319	801 699 755	CUSHION	1
320	801 709 072	BRACKET	2
321	801 706 814	BOLT	4
322	801 666 539	LOCK NUT	4
323	801 706 815	PLUG	2
324	801 706 816	FASTENER	2
325	801 671 317	SCREW	8
326	801 709 073	BRACKET	2
327	800 014 300	BOLT	4
328	801 709 170	SUB FRAME	1
329	801 657 804	WASHER	1
330	800 014 060	BOLT	1
331	801 657 825	TIRE	1
332	801 709 128	PLAIN WASHER	1
333	801 657 733	SPLIT PIN	1
334	801 709 075	STOPPER	1
335	800 014 300	BOLT	2
336	801 657 801	SPACER	1
337	801 657 802	STOPPER	1
338	801 682 505	BOLT	2
339	801 709 171	BRACKET	1
340	800 014 840	BOLT	2
341	801 709 077	HOLDER	1
342	801 699 769	SHAFT	1
343	801 651 069	SCREW	1
344	800 030 230	NUT	1
345	801 699 770	SPRING	1
346	801 706 807	STOPPER	1
347	801 699 772	HINGE	1
348	801 691 458	SCREW	2
349	800 032 712	SPRING WASHER	2
350	800 030 013	NUT	2
351	801 699 773	CAP BOLT	2
352	801 676 569	CONICAL SPRING WASHER	2
353	801 699 774	KNOB BOLT	1
354	801 656 398	LOCK NUT	1
355	801 709 078	STOPPER	1
356	801 706 822	GRIP	1
357	800 030 250	NUT	1
358	800 032 250	PLAIN WASHER	1
359	800 084 040	SNAP PIN	1
360	801 699 776	SPRING	1

MODEL RR1000

2015/4

REF. NO.	PART NO.	DESCRIPTION	Q'ty
361	801 709 079	BRACKET	1
362	800 014 840	BOLT	2
363	801 709 172	SUB FRAME	1
364	801 657 804	WASHER	1
365	800 014 060	BOLT	1
366	801 657 825	TIRE	1
367	801 709 128	PLAIN WASHER	1
368	801 657 733	SPLIT PIN	1
369	801 709 173	BRACKET	1
370	800 014 840	BOLT	2
371	801 709 082	HOLDER	1
372	801 699 769	SHAFT	1
373	801 651 069	SCREW	1
374	800 030 230	NUT	1
375	801 699 770	SPRING	1
376	801 706 807	STOPPER	1
377	801 699 772	HINGE	1
378	801 691 458	SCREW	2
379	800 032 712	SPRING WASHER	2
380	800 030 013	NUT	2
381	801 699 773	CAP BOLT	2
382	801 676 569	CONICAL SPRING WASHER	2
383	801 699 774	KNOB BOLT	1
384	801 656 398	LOCK NUT	1
385	801 709 083	BRACKET	2
386	801 699 784	PIPE	1
387	801 709 084	BRACKET	1
388	800 011 670	BOLT	3
389	800 032 240	PLAIN WASHER	3
390	801 666 540	LOCK NUT	3
391	801 709 085	STAND	1
392	801 709 086	BRACKET	1
393	801 699 788	BOLT	1
394	800 010 530	BOLT	2
395	800 032 220	PLAIN WASHER	4
396	800 032 720	SPRING WASHER	2
397	800 030 020	NUT	2
398	801 706 981	HOLDER	1
399	801 699 790	STAND PIN	1
400	800 080 700	RETAINING RING	2
401	801 709 090	SLIP-PROOF SHEET	1
402	801 709 091	SLIP-PROOF SHEET	1
403	801 709 092	PROTECTOR	2



MODEL RR1000
Fig-4 2015.4

MODEL RR1000

2015/4

REF. NO.	PART NO.	DESCRIPTION	Q' ty
501	803 333 219	LABEL	1
502	803 333 220	LABEL	1
503	803 333 214	LABEL	1
504	803 333 216	LABEL	1
505	803 333 217	LABEL	1
506	803 333 218	LABEL	1
507	803 333 215	LABEL	2
508	801 709 093	LABEL	1
509	801 709 125	LABEL	1
510	801 709 114	MANUAL	1

